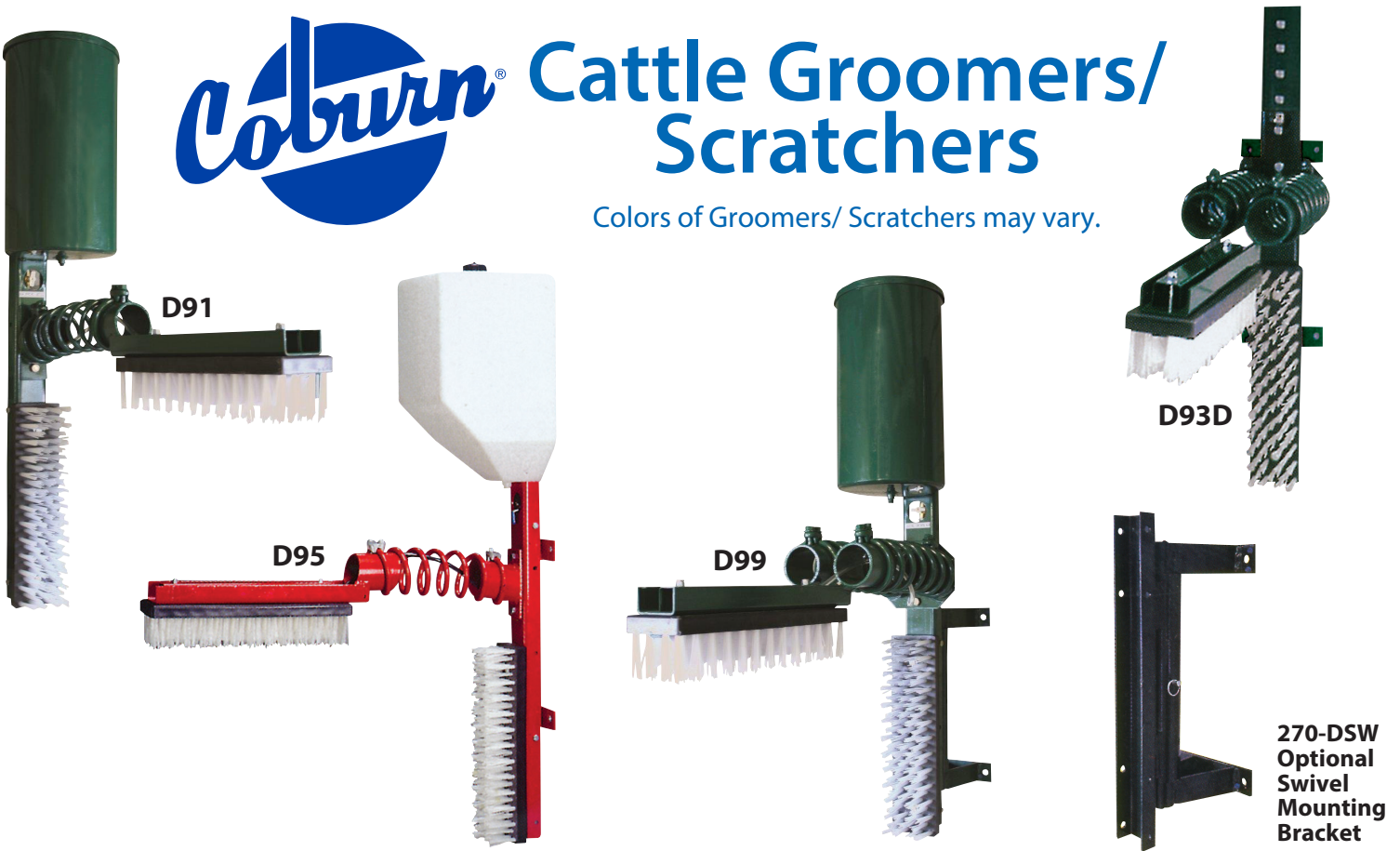




Cattle Groomers/Scratchers

Colors of Groomers/ Scratchers may vary.



Cattle Groomer/Scratchers apply fly and pest control and provide a comfortable brushing action to the animal. Lice, flies and winter hair are removed while protective, effective pest control is applied to cow's back for dispersal throughout the coat. Use oil-based insecticide solution (not included). The solution tanks now have a valve to regulate oil supply to the upper brush.

The brushes on the Groomer/Scratchers are 18-1/2 " by 4" with stiff bristles. Brushes are securely mounted in the metal frame for safety and durability, and the frame is easily attached to a wall or upright. The Double Spring model features two springs instead of one for "Double Muscle" – extra brushing power for very strong large cattle.

D17 Heavy Duty Cattle Scratcher. Wt. 99 lbs.

D93 Single Spring Groomer/Scratcher without solution tank. Wt. 48 lbs.

D95 Single Spring Groomer/Scratcher with plastic solution tank, 8 gallon capacity. Wt. 68 lbs.

D91 Single Spring Groomer/Scratcher with steel solution tank, 5.5 gallon capacity. Wt. 79 lbs.

D99 Double Spring Groomer/Scratcher with steel solution tank, 5.5 gallon capacity. Wt. 92 lbs.

D93D Double Spring Groomer/Scratcher without solution tank. Wt. 61 lbs.

270-DSW Optional Swivel Mounting Bracket. Pull one pin and move Groomer/Scratcher flat to the wall out of the way Useful when cleaning the area with a skid steer. Fits all six models listed.

270-55 Double Spring Arm Assembly. Includes Brush, Brush Holder, Double Spring Assembly, Valve Assembly, Bracket and hardware. May be used to convert a Single Spring Groomer/Scratcher into Double Spring Model.

See reverse side for replacement parts for groomer/scratchers.

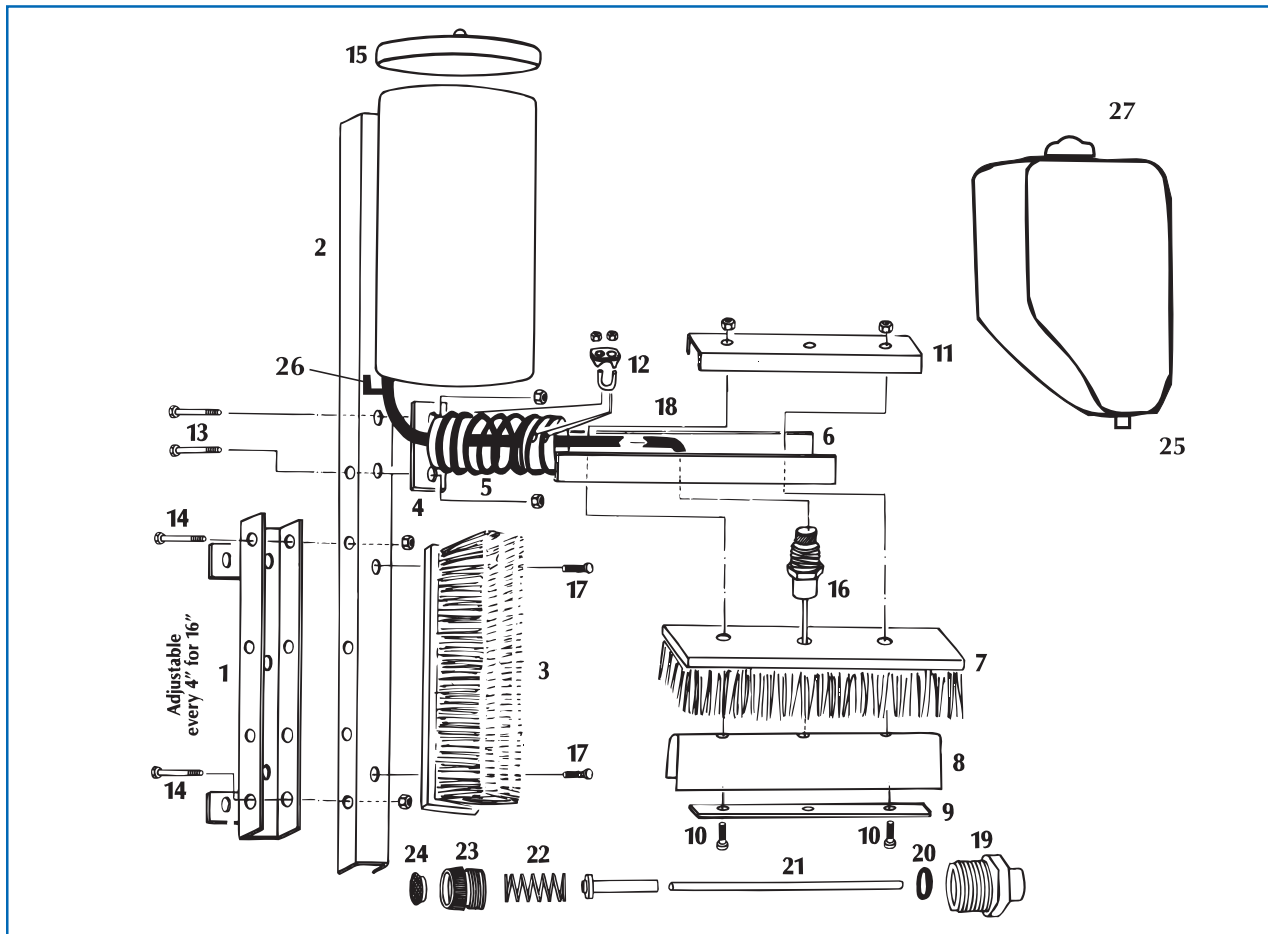


Heavy Duty Cattle Scratcher

Heavy Duty Cattle Scratcher was designed for cow comfort. Brushes deliver two scratching points, promoting cattle to groom themselves and remove dead hair. Unit is easy maintenance and has no springs. When cleaning barn, unit easily chains in the upright position to avoid damage.

D17 Heavy Duty Cattle Scratcher.

Replacement Parts For Groomer/Scratchers



Ref.#	Part #	Description
1	270-01	Wall bracket
2	270-02	Steel tank & frame for D91, D99
3	270-03	Side brush
4	270-04	Spring holder
5	270-05	Spring
6	270-06	Top brush holder
	270-06A	Top brush holder f/ double spring
7	270-07	Top brush
8	270-08	Felt cloth
9	270-09	Cloth holder
10	270-10	3/8 X 4" bolt
11	270-11	Support channel
12	270-12	Spring U-clamp
13	270-13	3/8 X 1" bolt
14	270-14	3/8" 4" bolt
15	270-15	Tank cover for steel tank
16	270-16	Complete valve
17	270-17	3/8 X 2" bolt
18	270-18	Valve to tank hose
19	270-19	Valve body
20	270-20	Valve o-ring
21	270-21	Brass with nylon stem
22	270-22	Valve spring
23	270-23	Adj. flow orifice
24	270-24	Screen
25	270-25	Plastic tank for D95
26	270-26	Tank shut-off
27	270-27	Plastic cap for plastic tank



The Coburn Company, Inc. • P O Box 147 • Whitewater, WI 53190 U.S.A.

800 776 7042

262 473 2822

coburn.com

info@coburn.com