



GOAT & SHEEP MILKING EQUIPMENT

for barns & parlors of all sizes



Milking Stalls for up to 50 animals



6-Stall Unit

Installation above includes	4214106	6-Stall Unit with Self-Locking Cascading Head Gates	
		overall dimensions 88" L x 31" W x 33" H	
	3005003	Coburn Porta-Milker with Electric Motor	
	3005112	Bucket & Lid Assembly	
	3005201	Vanguard Milking Cluster (2) with Silicone Inflatons	Cascading Head Gate

Coburn Goat & Sheep Milking Stalls...

...are pre-assembled and ready to install
 ...feature galvanized steel construction
 ...bolt directly to platform (not included)
 ...have cascading head gates with gang release
 ...work with any milking equipment



Additional milking equipment options



Milking Stalls for 50 to 200 animals



12-Stall Unit

4213112 12-Stall Unit with Cascading Head Gates overall dimensions 164" L x 48" W x 33" H
Select your choice of Bucket, Portable Milker and Milking Cluster from those shown opposite or add a pipeline and receiver jar.

Milking Parlors for large herds



Rapid Exit Parlor in milking position.
Shown with optional feed auger.

Rapid Exit Parlor in exit position.
Shown with optional feed auger.

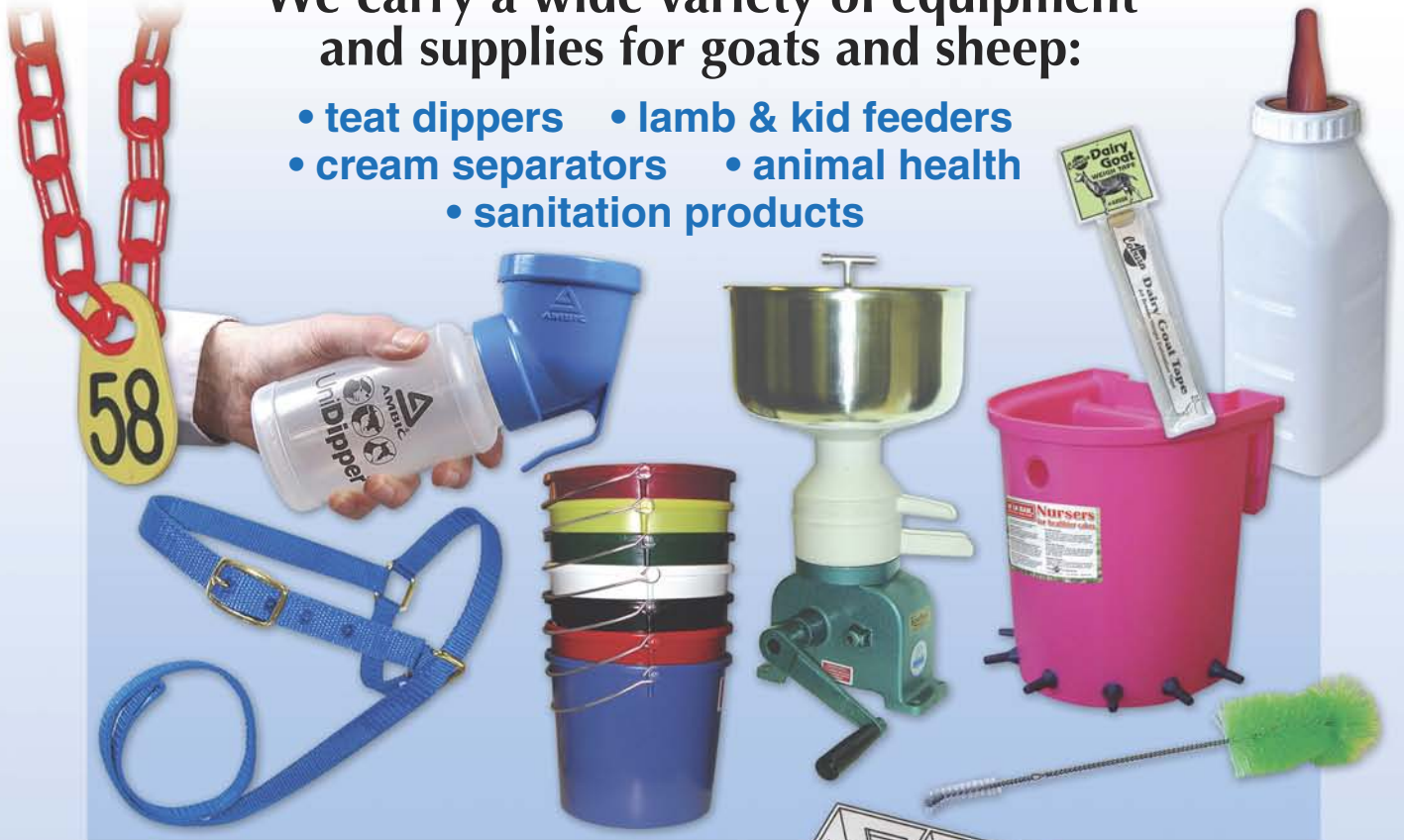


Coburn Milking Parlors for Goats & Sheep...

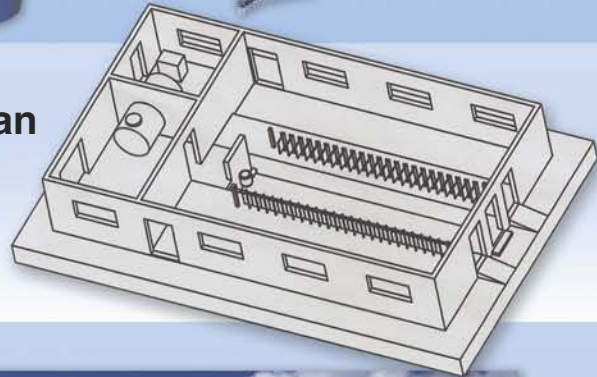
- ...feature heavy duty construction
- ...are available in sizes from 1x16 to 2x32
- ...allow quick entrance & fast exit
- ...have a pneumatic rapid-exit gate
- ...are ready to install, bolting directly to your platform
- ...include all stainless-steel feed troughs
- ...can be expanded with optional automated feeding system

We carry a wide variety of equipment and supplies for goats and sheep:

- teat dippers
- lamb & kid feeders
- cream separators
- animal health
- sanitation products



Our design department can help draw up a milking configuration for your new or existing barn.



Please contact us for more information.

The **Coburn** Company, Inc.

PO Box 147 Whitewater, WI 53190

800-776-7042

www.coburn.com

info@coburn.com