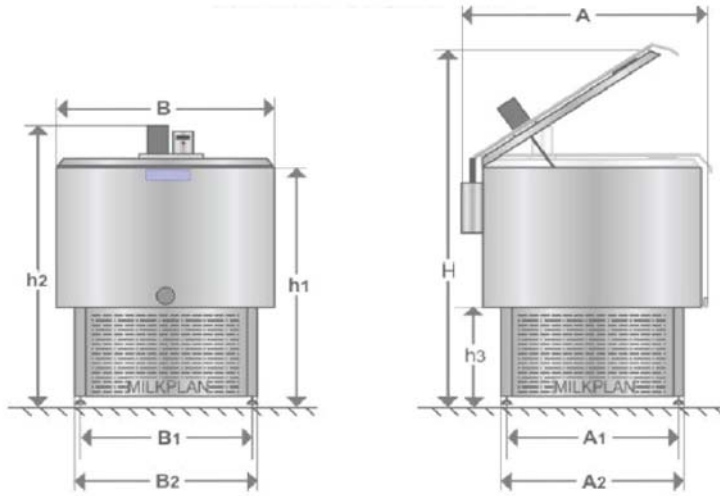


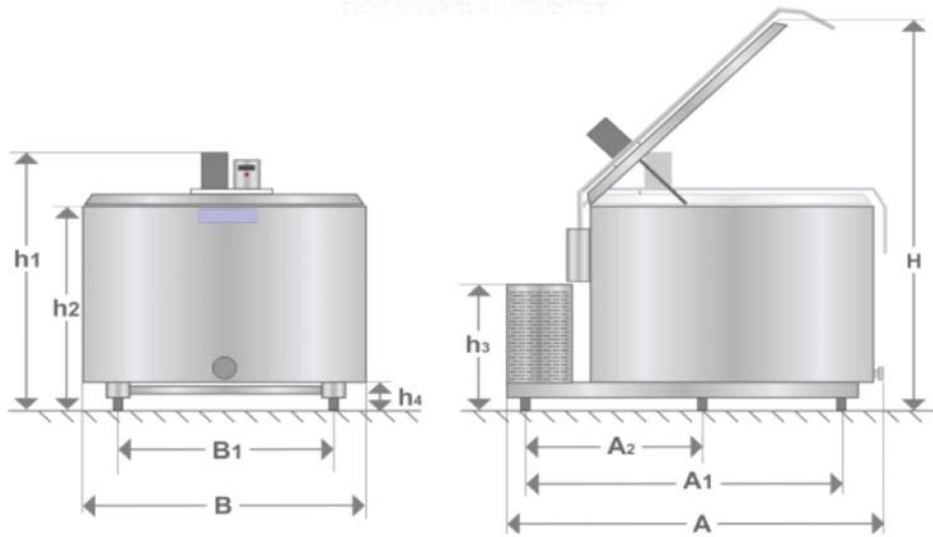
MilkPlan Bulk Tanks 15 Gallon - 90 Gallon: Dimensions & Specifications



Dimensions in Inches										
Tank Size	A	A ₁	A ₂	B	B ₁	B ₂	H	h ₁	h ₂	h ₃
15-Gallon	22.0	11.0	14.4	20.5	11.0	14.4	53.1	41.3	32.3	17.3
30-Gallon	30.7	13.0	15.7	26.8	16.1	19.7	65.4	46.9	38.6	16.5
60-Gallon	40.6	20.9	24.0	35.0	20.9	24.0	59.8	48.0	39.0	16.5
90-Gallon	44.5	20.9	24.4	39.0	20.9	24.0	66.9	49.2	40.6	16.5

Technical Specifications									
Tank Size	Max Capacity (Gallon)	Weight (lbs)	Voltage	Refrigerant	HP	Watts	Amps	Max Amps	
15-Gallon	13.7	114	110V	R404A	3/8 HP	636W	2.2A	3.00A	
30-Gallon	33.0	158	110V	R404A	1/2 HP	756W	3.76A	4.19A	
60-Gallon	63.4	242	110V	R404A	1 HP	1299W	5.2A	7.10A	
90-Gallon	87.7	282	110V	R404A	1 1/4 HP	1683W	6.4A	10.10A	

MilkPlan Bulk Tanks 220 Gallon - 330 Gallon: Dimensions & Specifications



Tank Size	A	A ₁	A ₂	B	B ₁	H	h ₁	h ₂	h ₃	h ₄	H w/ Handle
220-Gallon	84.3	64.2	-	50.8	36.4	68.5	49.8	40.9	27.0	7.6	78.1
285-Gallon	92.5	52.0	17.7	58.9	35.8	77.8	49.2	39.8	33.1	7.6	77.8
330-Gallon	91.3	52.0	17.7	58.9	37.0	82.3	58.9	45.3	33.1	7.6	80.7

Technical Specifications									
Tank Size	Max Capacity (Gallon)	Weight (lbs)	Voltage	Refrigerant	HP	Watts	Amps	Max Amps	
220-Gallon	224.5	529	110V	R404A	2 1/2 HP	3388W	5.27A	8.10A	
285-Gallon	336.8	595	110V	R404A	3 HP	4444W	19.8A	27.00A	
330-Gallon	336.8	611	220V, 3 Phase	R404A	4 HP	4847W	7.00A	11.40A	